

Paper based description of S-52 Symbology

Status report

As a result of the C&SMWG workshop held at C&S13, Hamburg May 2002 it was agreed to develop a paper based description of all S-52 symbology for the following reasons:

- collect and publish all geometry information about symbols which are coded today within the DAI-files in a human readable form.
- Allow manufacturers to imitate the content of the DAI-files completely by alternative software plug-in technologies.
- Close the chain between INT 1 for paper charts, S-57 objects and S-52 symbols.
- Make DAI-files redundant for future editions of the presentation library.

The technical co-ordinator of C&SMWG, Sven Herberg from MSCW has already started to draft such paper based description. Examples are attached for consideration and discussion at C&S14, Ottawa.

Symbol Name:

AIRARE02

Id: 7

Symbol Explanation: symbol for airport as a point

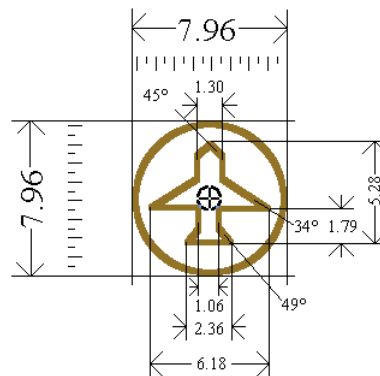
Symbol Set: PAPER_CHART SIMPLIFIED

Pivot Point Column: 3.98

Pivot Point Row: 3.98

Width of Bounding Box: 7.96

Height of Bounding Box: 7.96



Symbol Colors:



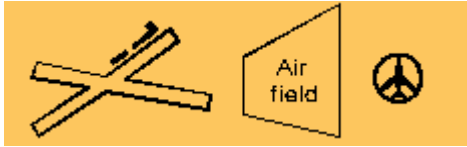
Pattern:

Comments:

Line weight 0.3 mm
Circle diameter 7.96 mm

Examples on ENC:

References:

S57	INT 1
AIRARE	ID 17
	

Symbol Name:

BOYBAR01

Id: 38

Symbol Explanation: barrel buoy, paper-chart

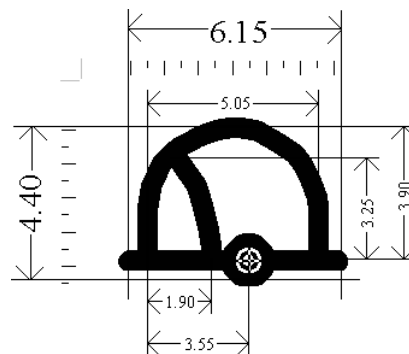
Symbol Set: PAPER_CHART

Pivot Point Column: 3.55

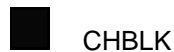
Pivot Point Row: 3.90

Width of Bounding Box: 6.15

Height of Bounding Box: 4.40



Symbol Colors:



Pattern:

Comments:

Line weight 0.6 mm
Circle diameter 1.0 mm

Examples on ENC:

References:

S57	INT 1	
BOYCAR	IQ 130.3	
BOYISD	IQ 130.4	
BOYLAT	IQ 130.1	
BOYSAW	IQ 130.5	<p>Body : red and white vertical stripes Topmark (if any) : red opticon</p> <p>Red, or Day, or white light EPLJ day, or blue (4)</p>
BOYSPP	IQ 130.6	

Symbol Name:

BOYINB01

Id: 47

Symbol Explanation: installation buoy, paper-chart

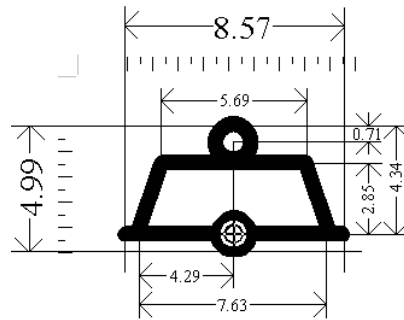
Symbol Set: PAPER_CHART

Pivot Point Column: 4.29

Pivot Point Row: 4.34

Width of Bounding Box: 8.57

Height of Bounding Box: 4.99



Symbol Colors:


■ CHBLK

Pattern:

Comments: Line weight 0.6 mm
Upper circle diameter 1.42 mm
Lower circle diameter 1.3 mm

Examples on ENC:

References:

S57	INT 1	
BOYINB	IL 16	

Symbol Name:

BUIREL01

Id: 70

Symbol Explanation: non-conspicuous religious building, Christian

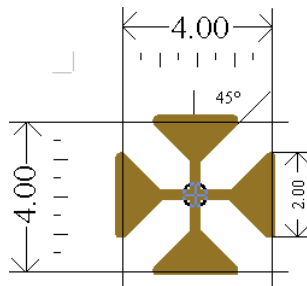
Symbol Set: PAPER_CHART SIMPLIFIED

Pivot Point Column: 2.00

Pivot Point Row: 2.00

Width of Bounding Box: 4.00

Height of Bounding Box: 4.00



Symbol Colors:



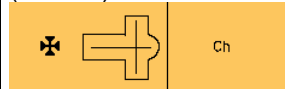
LANDF

Pattern:

Comments: Line weight 0.3 mm

Examples on ENC:

References:

S57	INT 1	
BUISGL	ID 5-6, 13;IE 10.1, 10.2, 11, 13-18, 28-30;IF 51, 60-63	
LNDMRK	ID 5-6;IE 10.1-20, 22-30.1, 30.3-4, 31;IL 11;IQ 100	(IE 10.1) 

Symbol Name:

CHIMNY01

Id: 84

Symbol Explanation: chimney

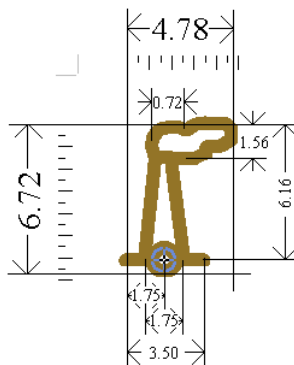
Symbol Set: PAPER_CHART SIMPLIFIED

Pivot Point Column: 1.75

Pivot Point Row: 6.16

Width of Bounding Box: 4.78

Height of Bounding Box: 6.72



Symbol Colors:




LANDF

Pattern:

Comments: Line weight 0.6 mm

Examples on ENC:

References:

S57	INT 1	
LNDMRK	ID 5-6;IE 10.1-20, 22-30.1, 30.3-4, 31;IL 11;IQ 100	(IE 22) 

Symbol Name:

DIRBOYB1

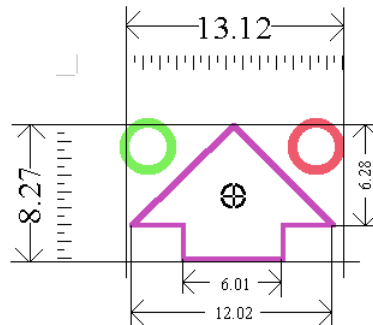
Id:113

Symbol Explanation: direction and color of buoyage for approaching harbour in IALA region B (green to port)

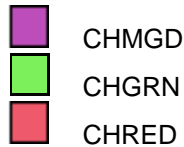
Symbol Set: PLAIN_BOUNDARIES SYMBOLIZED_BOUNDARIES

Pivot Point Column: 6.50
Pivot Point Row: 30.43

Width of Bounding Box: 13.12
Height of Bounding Box: 8.27



Symbol Colors:





Pattern:

Comments: Arrow line weight 0.3 mm
Circle line weight 0.6 mm; circle diameter 3.0 mm

Examples on ENC:

References:

S57	INT 1
M_NSYS	IQ 130-130.6 (IQ 130.2) <p>The direction of buoyage is that taken when approaching a harbour from seaward or, along coasts, the direction determined by buoyage authorities, normally clockwise around land masses.</p> <p> Symbol showing direction of buoyage where not obvious</p> <p> Symbol showing direction of buoyage on multicoloured charts</p>

Symbol Name:

DSHAER11

Id:120

Symbol Explanation: conspicuous dish aerial

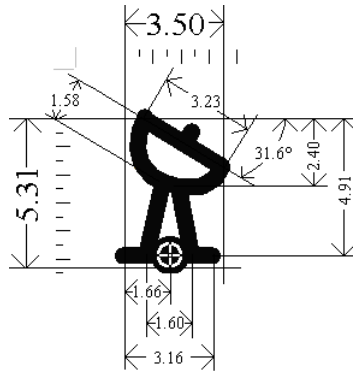
Symbol Set: PAPER_CHART SIMPLIFIED

Pivot Point Column: 1.66

Pivot Point Row: 4.91

Width of Bounding Box: 3.50

Height of Bounding Box: 5.31



Symbol Colors:



CHBLK

Pattern:

Comments: Line weight 0.6 mm; circle diameter 0.8 mm

Examples on ENC:

References:

S57	INT 1	
LNDMRK	ID 5-6;IE 10.1-20, 22-30.1, 30.3-4, 31;IL 11;IQ 100	(IE 31) 