

Paper for Consideration by S100WG TSM

Versioning of Feature Catalogue and FCB

<b>Submitted by:</b>	S-100WG Vice Chair and IHB
<b>Executive Summary:</b>	This paper report on versioning FC and PC for S100 based product specification.
<b>Related Documents:</b>	S-100, S-10x, S-100WG1_FCB
<b>Related Projects:</b>	S-100 Testbed, S-100 FCB and PCB

**Introduction / Background**

This paper will discuss how to create and maintain names of the Feature and Portrayal Catalogue which are part of S-10X product specification and provide appropriate S-100 compliant version through the builders.

**Analysis/Discussion**

The version of FCB should be compliant with S-100 edition number. For example, the version 2.0.0 of the FCB should be the same as S-100 edition 2.0.0. However when a domain owner binds to the FC using some version of the FCB, product specification metadata should be provided so that it can be used to match the compliance with S-100 edition and the FCB version as well.

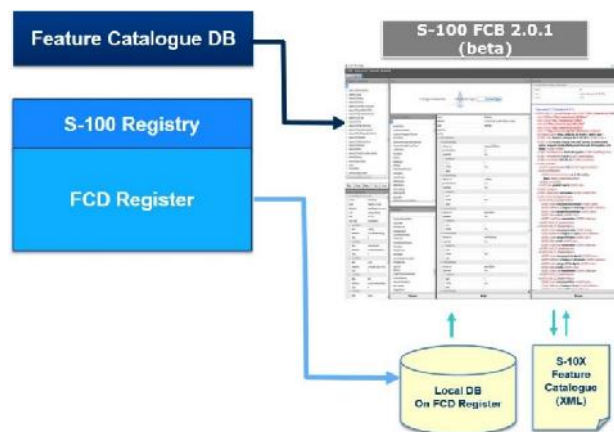


Figure 1. Current Procedure on the FCB

And the ECDIS manufacturer and GIS software companies etc. also need to know the valid catalogue version of S-100 based products. The table 1 provides a possible scenario for S-10X product and S-100 standard.

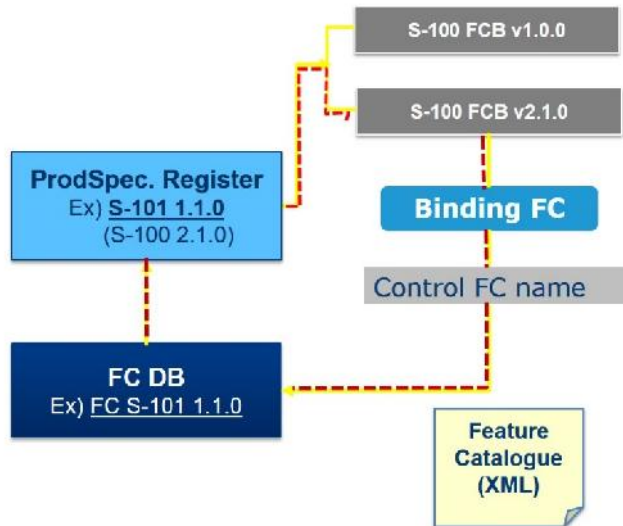
Table 1. S-10X edition compliant with S-100

S-100	S-101	S-102	S-124	S-111	S-401	S-412	...
1.0.0	-						
1.1.0	1.0.0	1.0.0					
2.0.0				1.0.0	1.0.0		
2.0.1	1.1.0		1.0.0				
2.1.0						1.0.0	
3.0.0		2.0.0		1.1.0		1.1.0	
...							

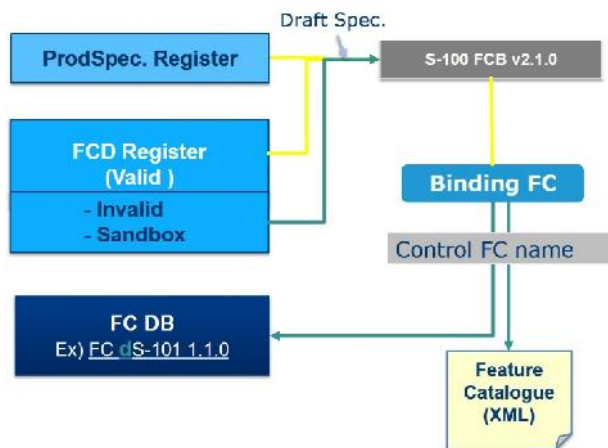
The XML catalogue is a machine readable document of S-10x product specification. It must have same edition number of the product specification and be provided a valid version of catalogue for the product specification with other based products such as S-101 if it is desired to display in the ECDIS.

There are three discussion topics as described below;

1. Connection to the Product Specification Register(PSR) by the FCB  
In order to provide a user of FCB an available FCB version for their product, the FCB need to get a metadata from PSR.



2. Create a draft feature catalogue using proposing features in the FCD.  
To create a draft FC, the FCB needs to load features which are on the proposal (sandbox).



3. A method to provide catalogue's status for S-100 based products  
It could be considered to the Exchange set catalogue or interoperability catalogue if available.

## Conclusions

In order to create proper version of feature catalogue of S-10x product, the FCB needs to access the product specification register and also load proposing features for the draft FC to make a draft specification. It is required to also consider a delivery method for providing the catalogues status for the catalogue users.

**Recommendations**

It is proposed that solutions for items No.1 and 2 should be discussed and adopted. Item No.3 will be considered by the interoperability guidance or any other documents if considered.

**Justification and Impacts**

Allow to access product specification register by the IHO FCB and upgrade the FCB for this functionality.

**Action Required of S-100WG TSM**

The S100Wg TSM is invited to:

- a. discuss the items proposed in this paper.