



Canadian Armed Forces National Presentation

ARHC October 2016

CFINCOM- DGIPP

LCdr Sandy Shearer

CFINTCOM-DGIPP GEOINT Maritime

sandy.shearer2@forces.gc.ca

Hydrographic service office

Sean Dyble

Operations manager/NATO LO

Sean.dyble@forces.gc.ca

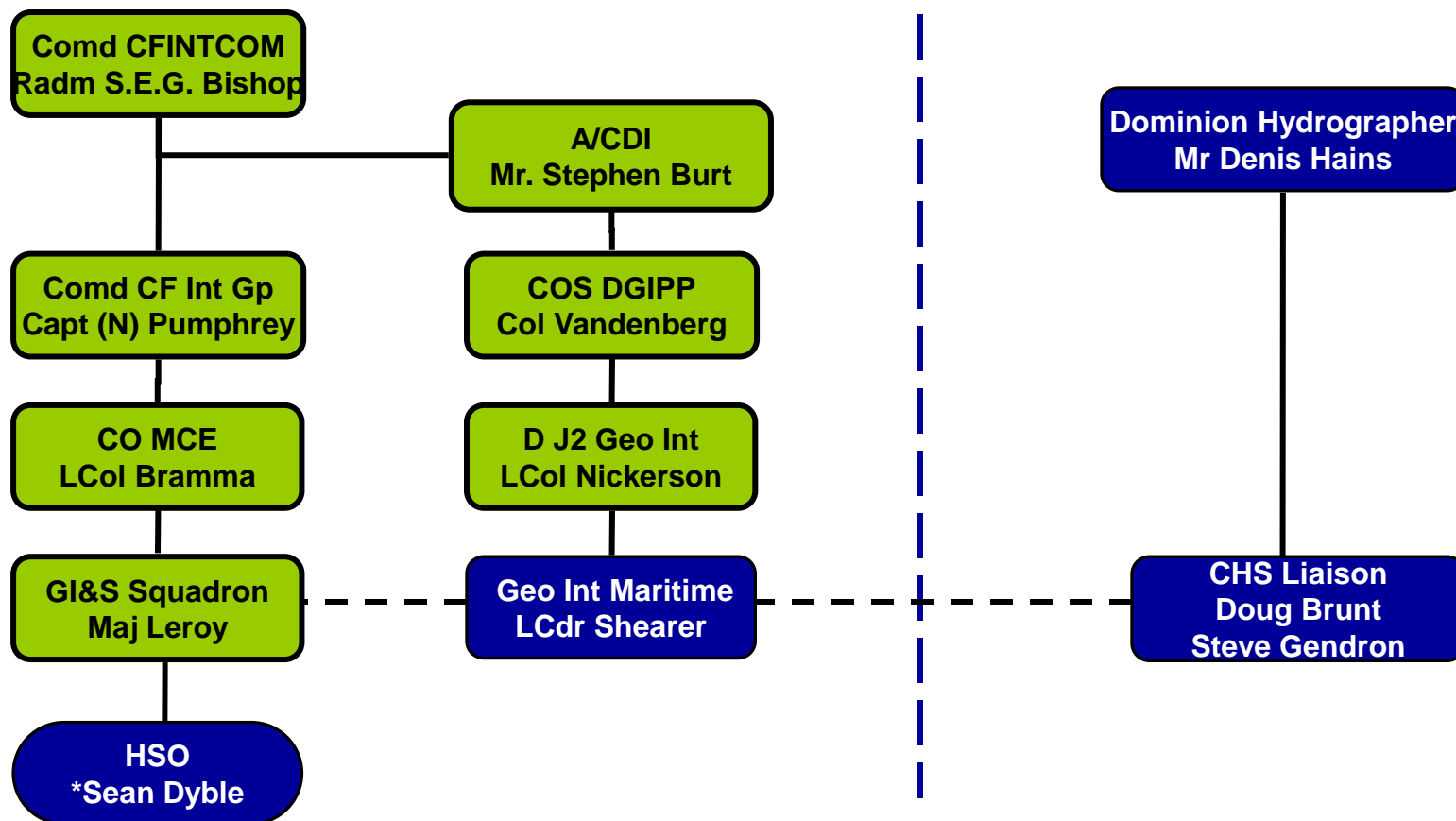
Canada



Canada's Maritime GEOINT Structure is split between the Civilian (Canadian Hydrographic Services-CHS) and the Military (Hydrographic Services Office-HSO). CHS provides the hydrographic data to the HSO which is responsible for adding additional military requirements and Chart distribution to the Military users.

DND

DFO - CHS





POINTS OF CONTACT

- **COMMANDER CFINTCOM**
- RAdm S.E.M Bishop, Scott.Bishop2@forces.gc.ca

- **Commander CFINTGROUP**
- Capt(N) Ron Pumphrey, ronald.pumphrey@forces.gc.ca

- **Chief of Staff Director Intelligence Policy and Partnerships**
- Col Eric Vandenberg, Eric.Vandenberg@forces.gc.ca

- **CO MCE**
- LCol Claire Bramma , claire.bramma@forces.gc.ca

- ~~Superintendent of Hydrographic Service (HSO) office~~
- ~~Mark LeBlanc, mark.leblanc@forces.gc.ca~~
- **Operations Manger (HSO) and NATO LO**
- Sean Dyble, sean.dyble@forces.gc.ca

- **Canadian Hydrographic services Intellectual Property and Licensing,**
- Steven.Gendron@dfo-mpo.gc.ca

- **DGIPP GEOINT MARITIME**
- LCdr Sandy shearer, sandy.shearer2@forces.gc.ca



HSD Capabilities

The Canadian Maritime Digital Production Team is composed of eight staff (three senior and five geomatics technicians), located in Esquimalt, BC and Halifax NS. The Digital Production Team's main tasks include:

- Canadian Pacific and Atlantic AOR domestic AML production.
- NATO AML Co-Production.
- Hydrographic Field Sheets.
- Bathymetry processing and surface generation.
- Littoral Briefing Charts
- Submarine ENC's
- OPAREA Charts
- Paper Charts (3456)
- BSB Raster (3456)
- Digital Response Products (Custom Maps and Charts)
- GeoTIFF Charts (Can be loaded onto WECDIS)
- GeoPDF



2015-2016 HSO products

PRODUCTS	REMARKS	QUANTITY ISSUED 2015-16	
Custom Digital Products In Process or Completed	OPAREA CHARTS / PORT IMAGE MAPS (NEW PRODUCTS / REPRINTS)	53	570
Print-On-Demand(POD) Charts	CDN / NOAA / UKHO	12 768	
Safety of Navigation Notices	Originated by HSO for ship safety	880	
Additional Military Layers (AML)	For use by ships at sea in ECDIS	31	
NACPP AML*	For use by NATO Partners	42	
DNC QA**	QA of contractor deliverables	15	
SubENC	PRODUCTION TO BEGIN 2016-17	0	
Client Orders Processed	RCN / CDN COAST GUARD / RCMP	10 742	



RCN Presence in the Arctic



HARRY De WOLF Class

- 6 Ships in class
- 6440 tonnes
- LOA 104 meters
- Delivery to the RCN 2018
- Trials/deployment 2019

Roles

- Sovereignty
- Constabulary
- Fisheries
- Survey
- Support to Northern communities

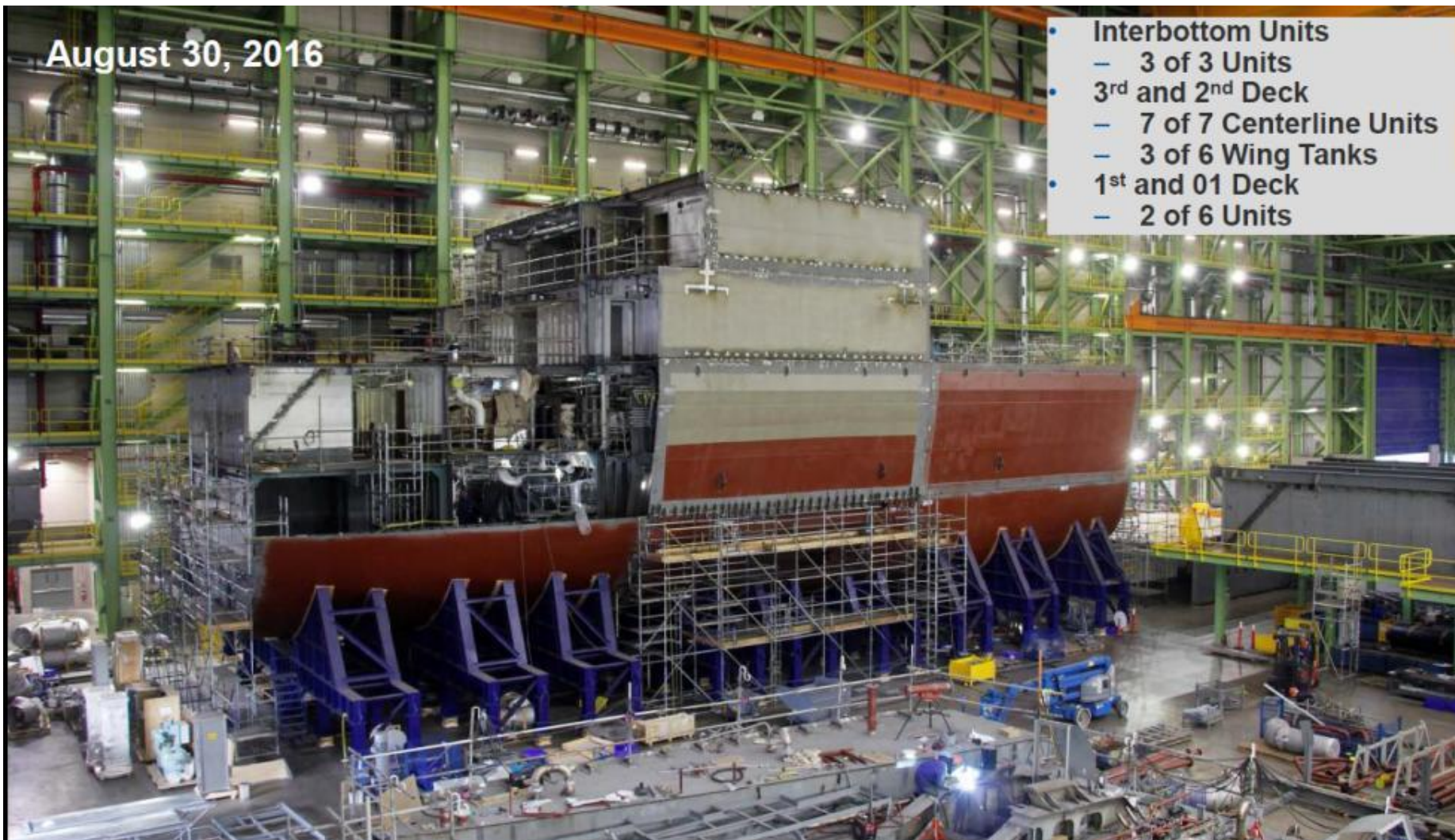




Harry DeWolf

August 30, 2016

- Interbottom Units
 - 3 of 3 Units
- 3rd and 2nd Deck
 - 7 of 7 Centerline Units
 - 3 of 6 Wing Tanks
- 1st and 01 Deck
 - 2 of 6 Units





Harry DeWolf Class Arctic Offshore Patrol Vessel (AOPV) 430- 435

